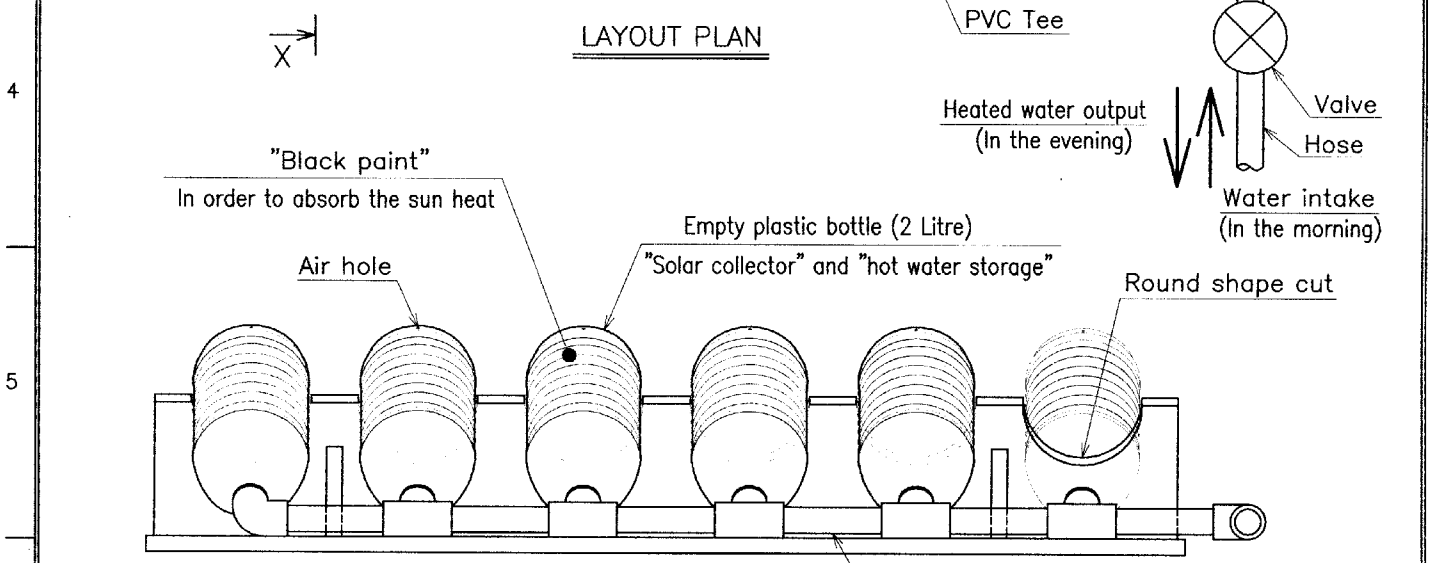
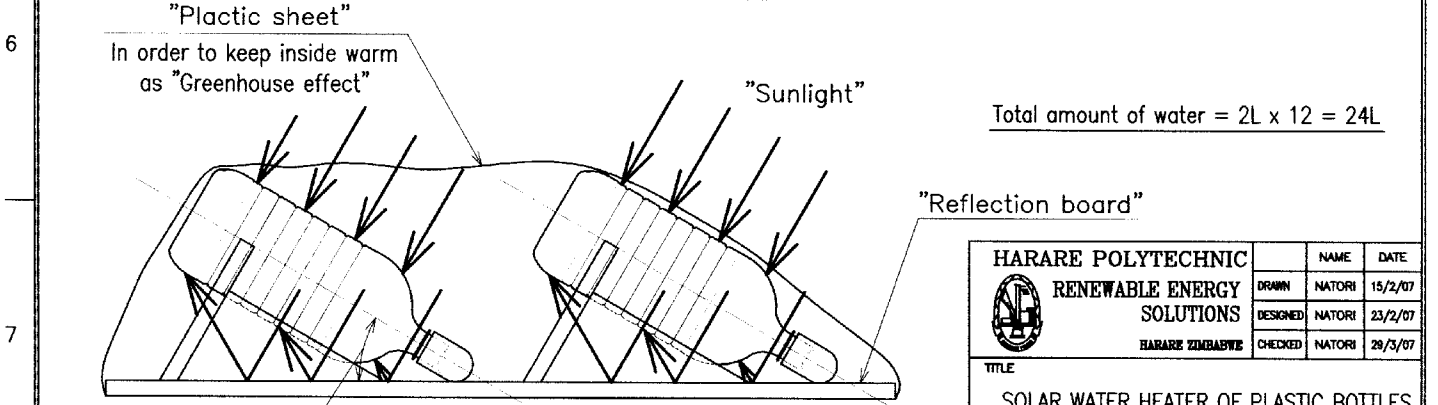


LAYOUT PLAN




SECTION Y-Y



SECTION X-X

Total amount of water = 2L x 12 = 24L

<b>HARARE POLYTECHNIC</b>		NAME	DATE
	<b>RENEWABLE ENERGY SOLUTIONS</b>	DRAWN	NATORI 15/2/07
	<b>HARARE ZIMBABWE</b>	DESIGNED	NATORI 23/2/07
		CHECKED	NATORI 29/3/07
TITLE			
SOLAR WATER HEATER OF PLASTIC BOTTLES			
SCALE	DWG. NO.	REV.	
1:7	SOD0002	0	